

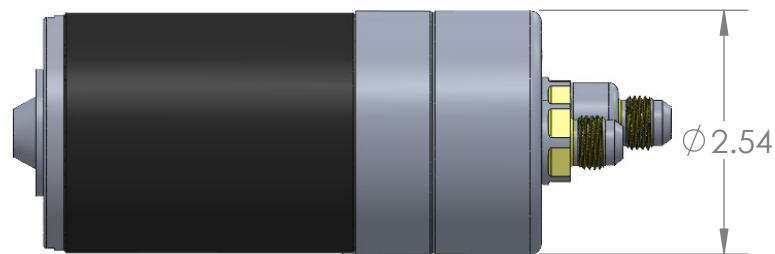
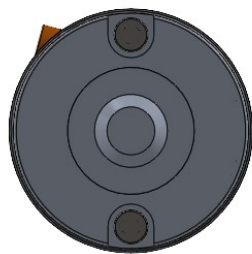
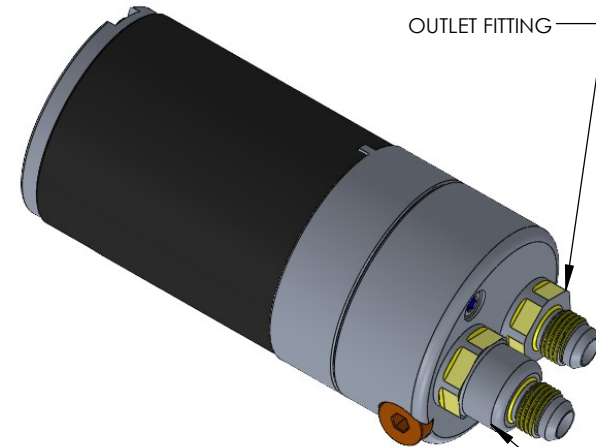
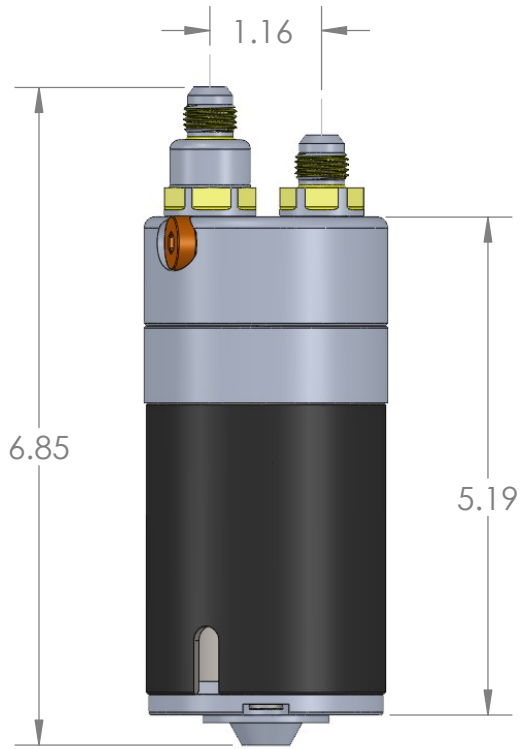
2

1

WP723 GEROTOR OIL PUMP SPECIFICATION SHEET

PUMP FEATURES:

- 12VDC BRUSH MOTOR (70W CONTINUOUS/ 150W PEAK)
- ALUMINUM ALLOY MACHINED HOUSING
- PRECISION GEROTOR PUMP SECTION
- 06AN MALE FITTINGS STANDARD. OTHER CONFIGURATIONS AVAILABLE
- INCORPORATED PRESSURE RELIEF VALVE
- SUITABLE FOR PUMPING LUBRICATION OILS (ATF, ENGINE OIL, GEAR OIL)
- 100 MESH STRAINER SCREEN INCORPORATED ON PUMP INLET
- VITON PUMP SHAFT SEAL
- TYPICAL PUMP PERFORMANCE:
 FLUID: ATF
 .50 GPM @ 40 PSI (5.3A @ 14VDC)
- MORE FLOW DATA AVAILABLE UPON REQUEST



INLET FITTING
(100 MESH SCREEN INCORPORATED)

MEZIERE ENTERPRISES
 220 S. HALE AVE.
 ESCONDIDO, CA.
 92029
 PH: 760.746.3273

2

1

B

B

A

A