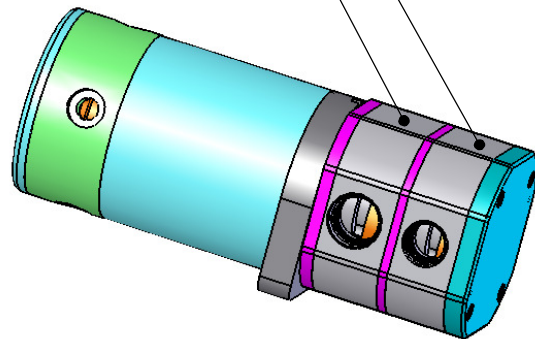


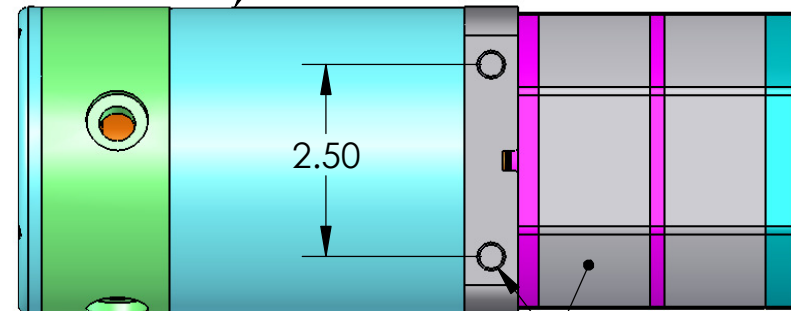
-12ANx2 THREAD
SCAVENGE SECTION

-10ANx2 THREAD
PRESSURE SECTION

PRESSURE SECTION
SCAVENGE SECTION



250W 12VDC BRUSH MOTOR
(24VDC OPTION AVAILABLE)



2 x 3/8-16 MOUNTING
HOLES

MEZIERE GEROTOR-STYLE 2-STAGE PUMP HEAD
TARGET VOLUME OF 15LPM @ 20PSIG
(SCAVENGE IS 1.2 x PRESSURE SECTION)

OTHER PUMP FEATURES:

- FLOW MAXIMUM OF >15LPM (CONTINUOUS)
- AMBIENT TEMPERATURE RATING: -20 °C TO 100 °C
- FLUID TEMPERATURE RATING: -20 °C TO 120 °C
- PWM CONTROL INTERFACE POSSIBLE
- MEETS SALT SPRAY REQUIREMENT PER ASTM-B-117
- INTENDED PUMP MEDIA: DEXRON VI ATF
- IP RATING 65

ADDITIONAL PERFORMANCE TESTING RESULTS
AVAILABLE UPON REQUEST.

MEZIERE ENTERPRISES INC.

TITLE:
**ME OIL PUMPS
2-STAGE
12VDC ELECTRIC, BRUSH**

SIZE	DWG. NO.	REV
A	WP715 - SPEC	

6/11/13		SHEET 1 OF 1
---------	--	--------------