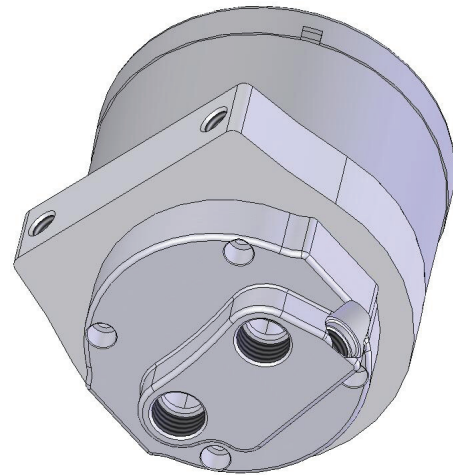
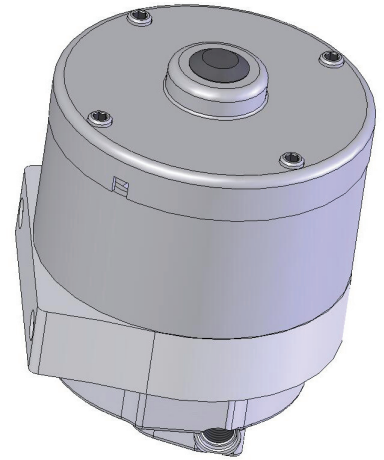


Pump Specification Sheet

Part Number: WP711

Product Weight: 5.9 Lbs.
Basic Dimensions: 5”H x 4”W x 4”D
Minimum operating Temperature: 35F
Maximum Operating Temperature: 185F
Basic Construction: Billet aluminum body, steel magnet ring, stainless steel rotors.
Seal Type: Ceramic - Carbon Face Seal
For Media Type: Water / Glycol Mix
Input Voltage: 12VDC
Expected Power Draw: See Performance Graph
Inlet Port Description: 3/8 NPT
Outlet Port Description: 3/8 NPT
Additional Information: Includes adjustable pressure regulator.



PUMP FLOW VERSUS PRESSURE @ 12 VOLTS

