



## WP755 Centrifugal 12V Pump for water glycol mix or similar viscous fluids

### In The Box:

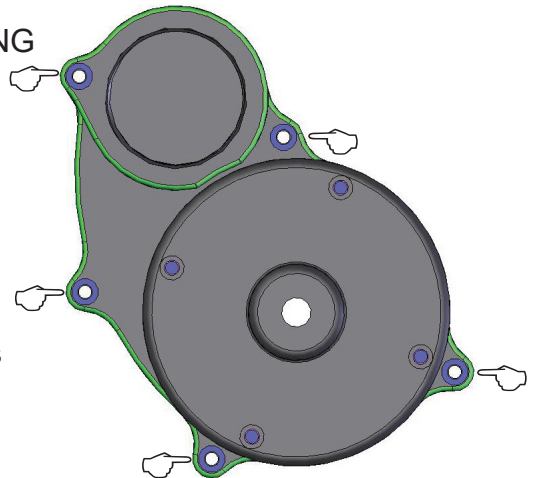
- 1 Electric Pump #WP755
- 1 Wiring harness w/ 20 amp fuse

### To complete the installation you will need:

- 1 Outlet fitting adapter for 1 1/2" NPT
- 1 Adapter Flange WPX818 (aluminum) or WPX819 (steel) or WPX820 (ss)



MOUNTING  
SCREWS



### Preparing the Pump:

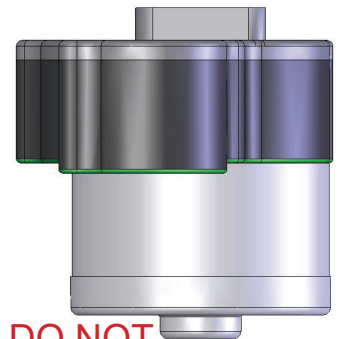
Make sure the pump will fit in the required space. Remove the back plate by removing the 5 mounting screws. Lightly grease the interface o-ring and install into slot on the back plate. Bolt the back plate to the welded flange. Make sure the main body o-ring is still in place and reinstall the pump to the back plate with the 5 mounting screws. Install the outlet fitting using teflon tape or some other appropriate pipe thread sealant. The fitting is sold separately and should be selected according to the needs of your application. Mount the pump securely and complete the plumbing. *Do not run the pump dry for an extended period of time.*

### Wiring the Pump:

Use the fused harness supplied with the pump. The black wire should be connected to ground. The blue wire should be connected to a 12 volt positive switched source. Supply and ground wires should be 14 gauge minimum. All switches should be rated at 20 amps or better.

### General Precautions:

- We recommend the pump be mounted with the main shaft pointing up. Never mount the pump with the shaft pointing at the ground. It may be mounted sideways if the weep hole is pointed at the ground.
- Use appropriate torque for mounting hardware and plumbing connections.
- Thread locking compound is recommended on mounting bolts and thread sealing tape is recommended on plumbing connections.



**INCORRECT - DO NOT  
MOUNT WITH SHAFT DOWN**

California Proposition 65 Warning: Please see reverse side for Prop 65 information.

California Proposition 65 Warning

**WARNING: This product contains chemicals known to the State of California to cause cancer and birth defects or other reproductive harm.**

**WARNING:** Motor vehicles contain fuel, oils and fluids, battery posts, terminals and related accessories which contain lead and lead compounds and other chemicals known to the State of California to cause cancer, birth defects and other reproductive harm. These chemicals are found in vehicles, vehicle parts and accessories, both new and as replacements. When being serviced, these vehicles generate used oil, waste fluids, grease, fumes and particulates, all known to the State of California to cause cancer, birth defects, and reproductive harm.

For background on the new Proposition 65 warnings, see:  
*<https://www.p65warnings.ca.gov/new-proposition-65-warnings>*

Proposition 65 and its regulations are posted at:  
*<https://oehha.ca.gov/proposition-65/law/proposition-65-law-and-regulations>*

To give Meziere notice of an alleged violation of California Health and Safety Code Section 25249.5 or 25249.6, you must send notice to:  
*[meziere@meziere.com](mailto:meziere@meziere.com)*