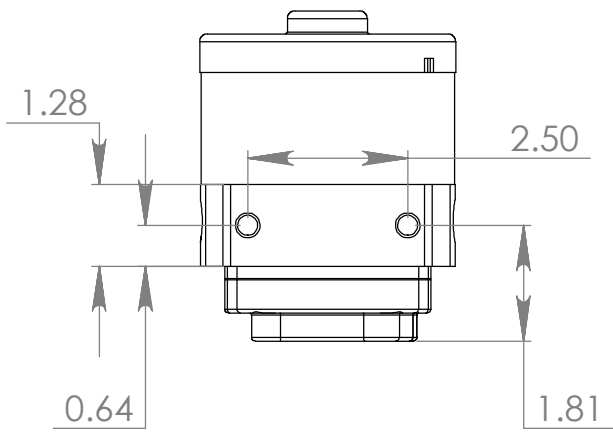
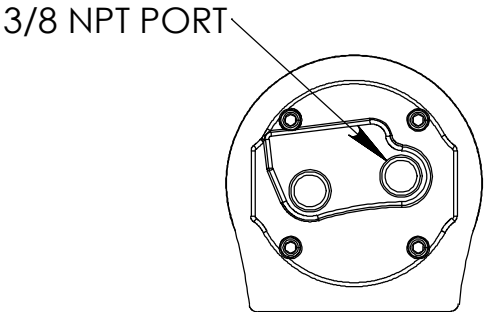
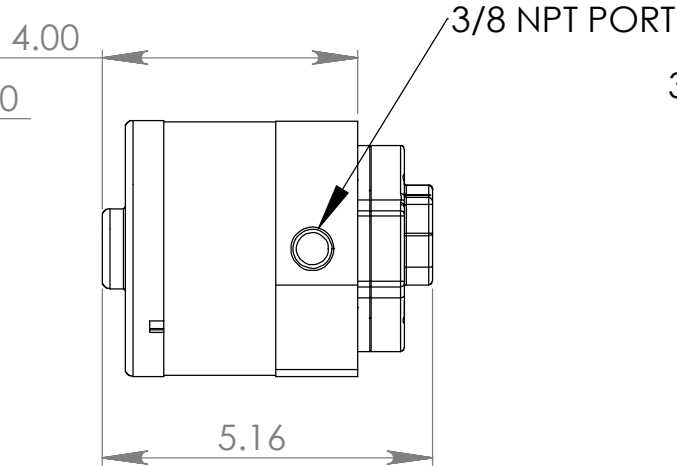
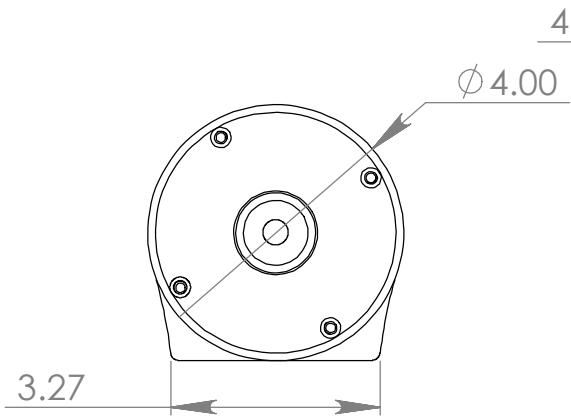
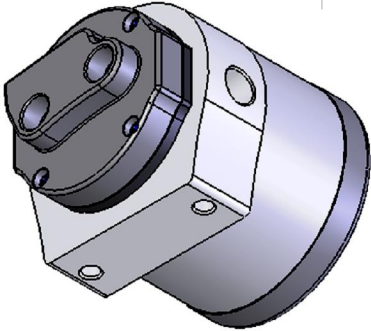
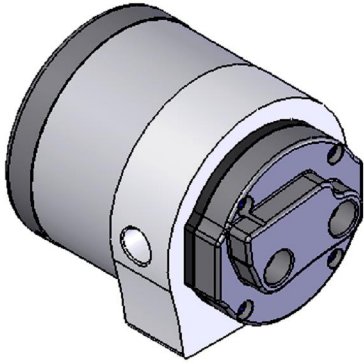
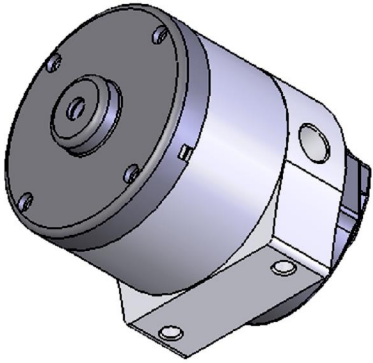


REVISIONS		DATE	APPROVED
ZONE	REV.	DESCRIPTION	



DIMENSIONS ARE IN INCHES		NAME	DATE
TOLERANCES:		DRAWN	DJM 3-27-12
FRACTIONAL \pm 1/2 DEGREE		CHECKED	
ANGULAR: MACH \pm BEND \pm		ENG APPR.	
TWO PLACE DECIMAL \pm .015		MFG APPR.	
THREE PLACE DECIMAL \pm .005		Q.A.	
MATERIAL	COMMENTS:		
VARIOUS - ASSY			
FINISH			
DO NOT SCALE DRAWING			

Meziere Enterprises Inc.

**PUMP, 12V, POS
 DISPLACEMENT,
 OIL, 2 STAGE**

SIZE	PART. NO.	REV.
A	WP702	-
SCALE:1:5	WEIGHT:	SHEET 1 OF 1