



Pump Specification Sheet

Part Number: WP755

Product Weight: 6.1 Lbs.

Basic Dimensions: 6.3”H x 4.9”W x 5.5”D

Minimum Operating Temperature: 35F

Maximum Operating Temperature: 250F

Basic Construction: Billet aluminum body, steel magnet ring, billet aluminum impeller.

Seal Type: Mechanical ceramic face

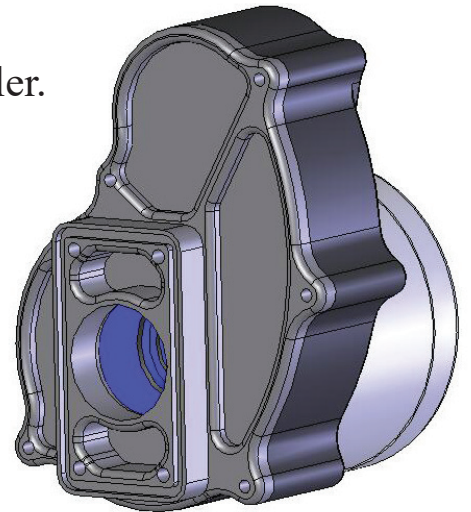
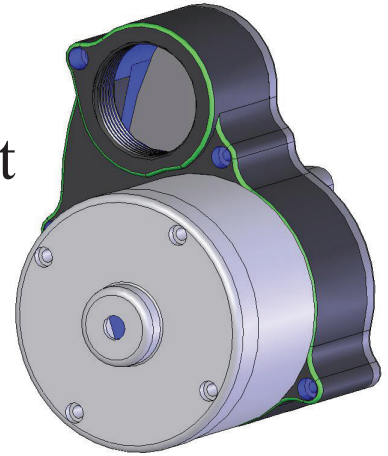
For Media Type: Water-glycol mixture

Input Voltage: 12VDC

Expected Power Draw: See Performance Graph

Inlet Port Description: Tank mount 1.5” through hole

Outlet Port Description: Single port 1 1/2” NPT



PUMP FLOW VERSUS PRESSURE @ 12VOLTS

