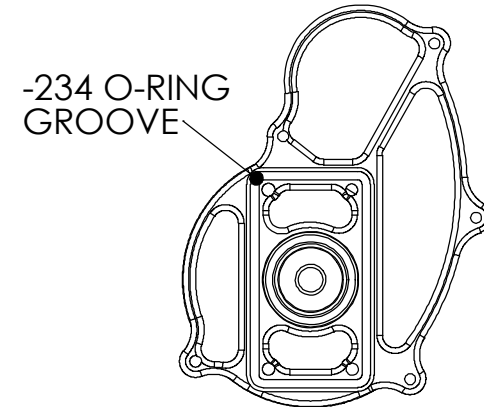
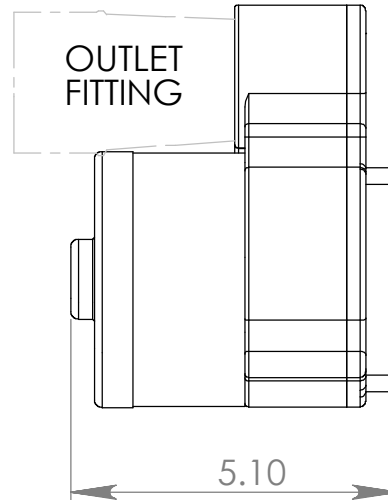
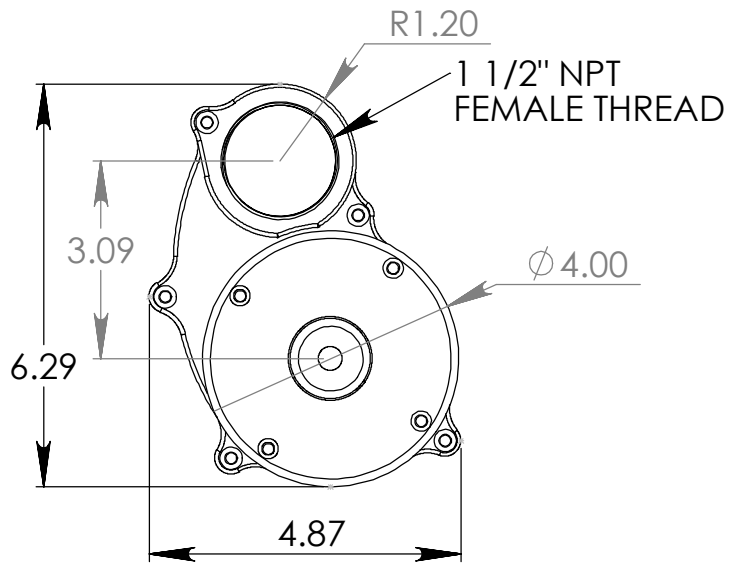
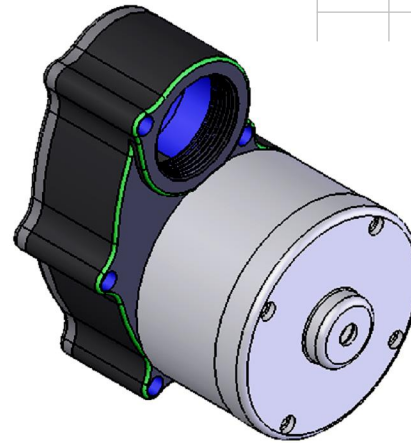
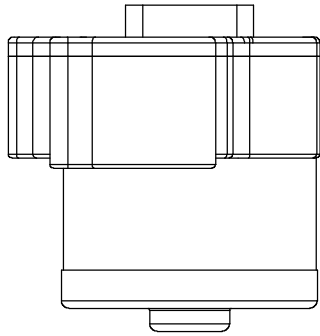


		REVISIONS			
ZONE	REV.	DESCRIPTION	DATE	APPROVED	



DIMENSIONS ARE IN INCHES
 TOLERANCES:
 FRACTIONAL ± 1/2 DEGREE
 ANGULAR: MACH ± BEND ±
 TWO PLACE DECIMAL ± .015
 THREE PLACE DECIMAL ± .005

MATERIAL
VARIES - ASSEMBLY

FINISH
 --

DO NOT SCALE DRAWING

	NAME	DATE
DRAWN	DJM	3-27-12
CHECKED		
ENG APPR.		
MFG APPR.		
Q.A.		
COMMENTS:		

Meziere Enterprises Inc.

***PUMP, ELECTRIC,
 FLANGE MOUNT, 12V
 1 1/2" PORT***

SIZE A	PART. NO. WP755	REV. -
SCALE:1:5	WEIGHT:	SHEET 1 OF 1