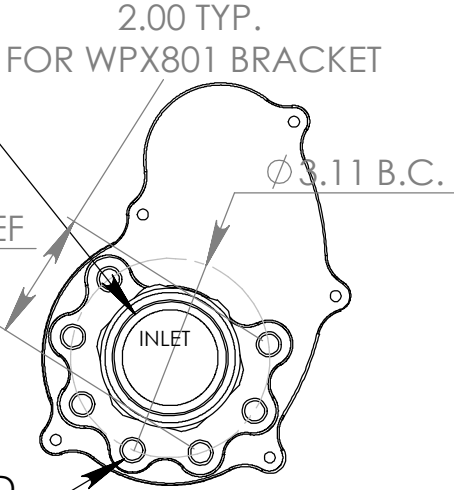
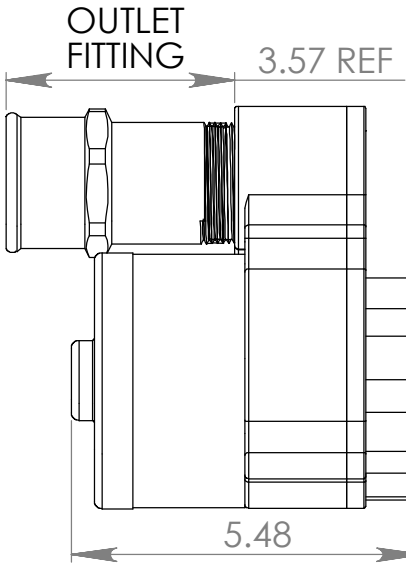
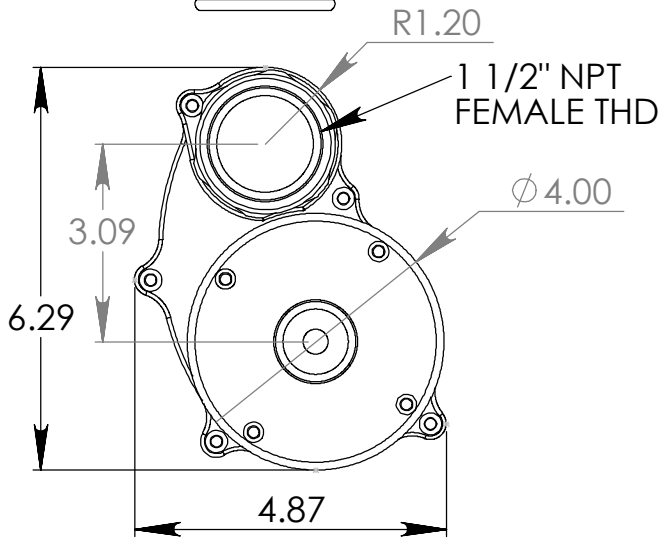
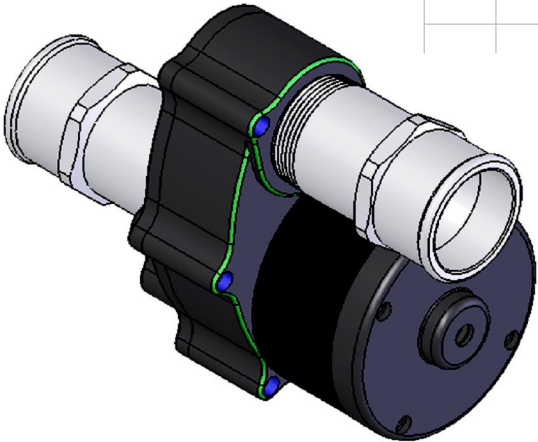
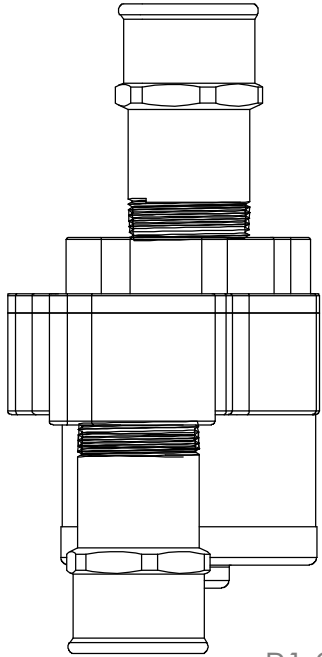


REVISIONS		DATE	APPROVED
ZONE	REV.	DESCRIPTION	



DIMENSIONS ARE IN INCHES
 TOLERANCES:
 FRACTIONAL ± 1/2 DEGREE
 ANGULAR: MACH ± BEND ±
 TWO PLACE DECIMAL ± .030
 THREE PLACE DECIMAL ± .005

MATERIAL
VARIES - ASSEMBLY

FINISH

DO NOT SCALE DRAWING

NAME	DATE
DJMJ	3-26-12
CHECKED	
ENG APPR.	
MFG APPR.	
Q.A.	
COMMENTS:	

Meziere Enterprises Inc.

**PUMP, ELECTRIC,
 INLINE, 12V,
 1 1/2" NPT PORTS**

SIZE	PART. NO.	REV.
A	WP753	-
SCALE:1:5	WEIGHT:	SHEET 1 OF 1