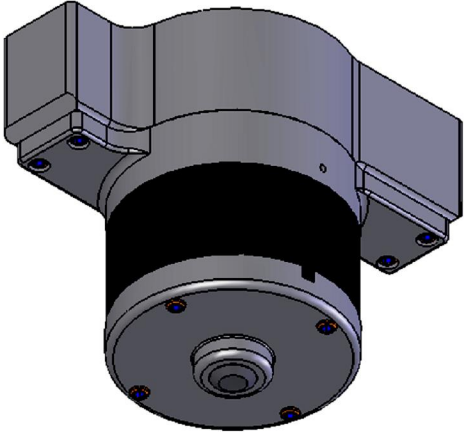
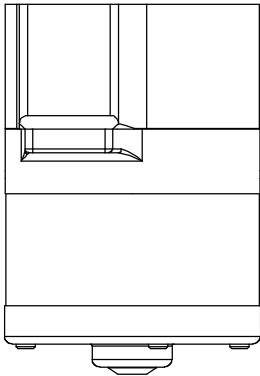
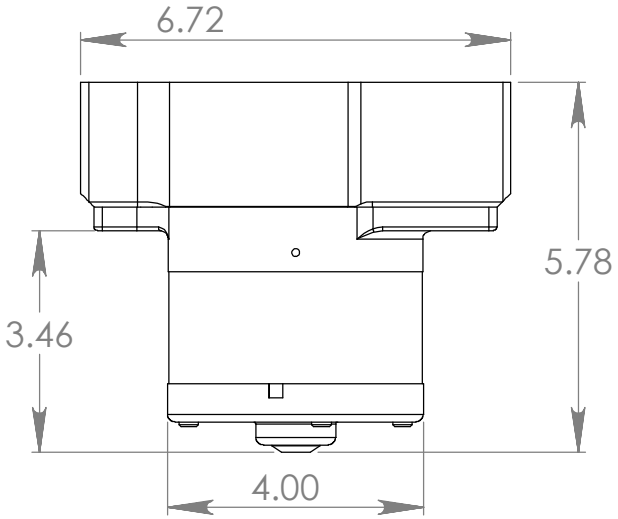
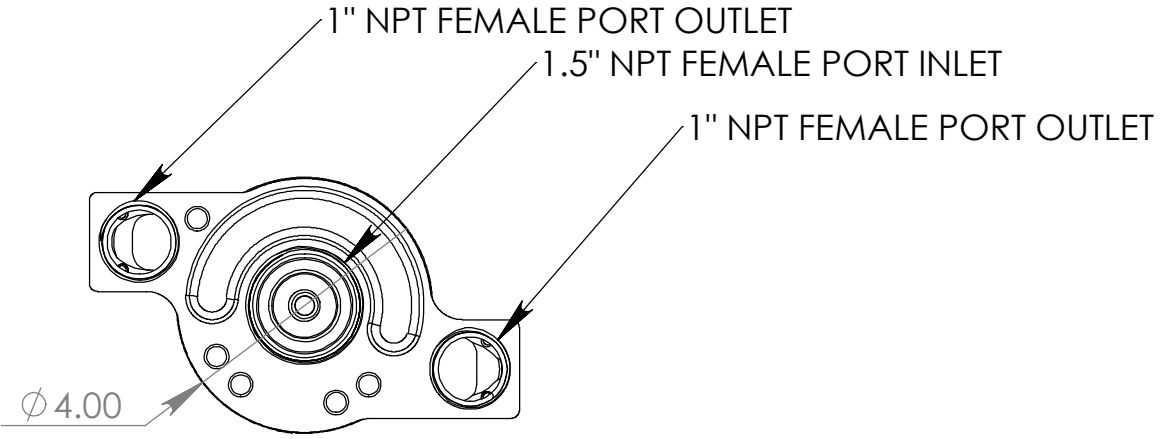
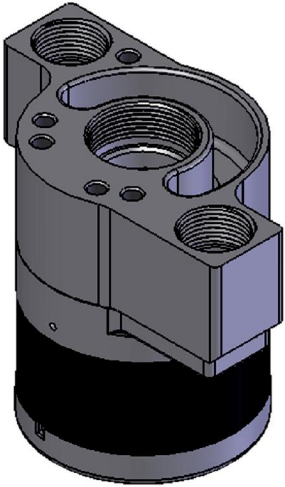


ZONE		REV.	REVISIONS	DATE	APPROVED
			DESCRIPTION		



DIMENSIONS ARE IN INCHES  
 TOLERANCES:  
 FRACTIONAL ± 1/2 DEGREE  
 ANGULAR: MACH ± BEND ±  
 TWO PLACE DECIMAL ± .030  
 THREE PLACE DECIMAL ± .005

MATERIAL  
 VARIES - ASSEMBLY

FINISH

DO NOT SCALE DRAWING

	NAME	DATE
DRAWN	DJM	3-28-12
CHECKED		
ENG APPR.		
MFG APPR.		
Q.A.		

COMMENTS:

**Meziere Enterprises Inc.**

**PUMP, ELECTRIC 12V,  
 BULKHEAD, 1 IN 2 OUT**

SIZE <b>A</b>	PART. NO. WP752	REV. -
SCALE:1:5	WEIGHT:	SHEET 1 OF 1