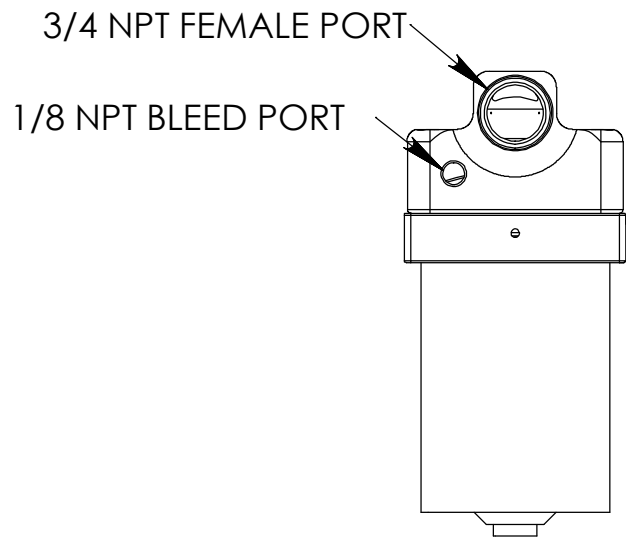
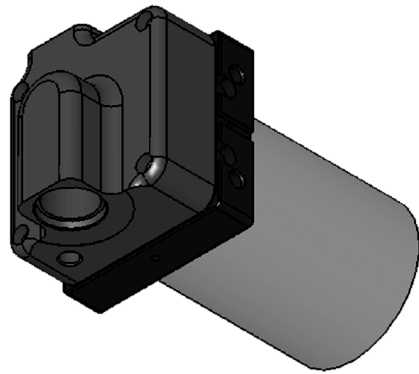
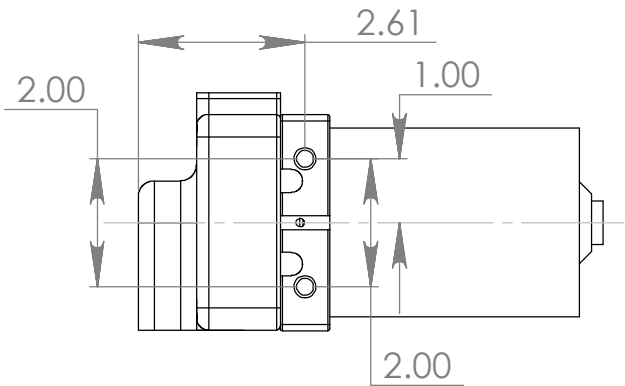
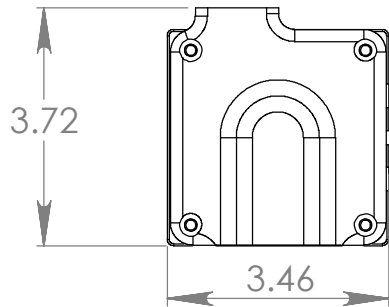
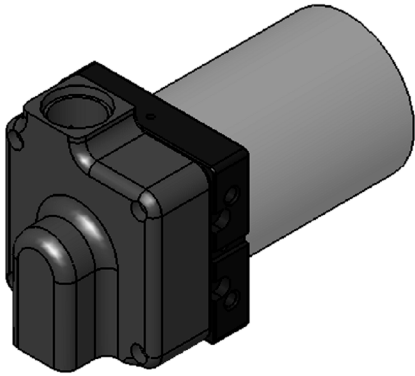
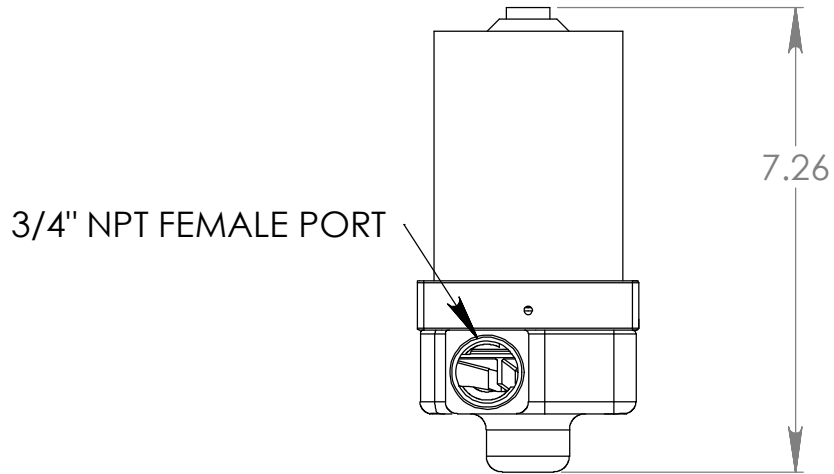


		REVISIONS			
ZONE	REV.	DESCRIPTION	DATE	APPROVED	



DIMENSIONS ARE IN INCHES
 TOLERANCES:
 FRACTIONAL $\pm 1/2$ DEGREE
 ANGULAR: MACH \pm BEND \pm
 TWO PLACE DECIMAL $\pm .015$
 THREE PLACE DECIMAL $\pm .005$

MATERIAL
 VARIES - ASSEMBLY
 FINISH

DO NOT SCALE DRAWING

	NAME	DATE
DRAWN	DJM	6-5-07
CHECKED		
ENG APPR.		
MFG APPR.		
Q.A.		

COMMENTS:

Meziere Enterprises Inc.

***PUMP, 12V,
 CENTRIFUGAL,
 WATER/GLY, 20 GPM***

SIZE A	PART. NO. WP750	REV. -
SCALE:1:5	WEIGHT:	SHEET 1 OF 1