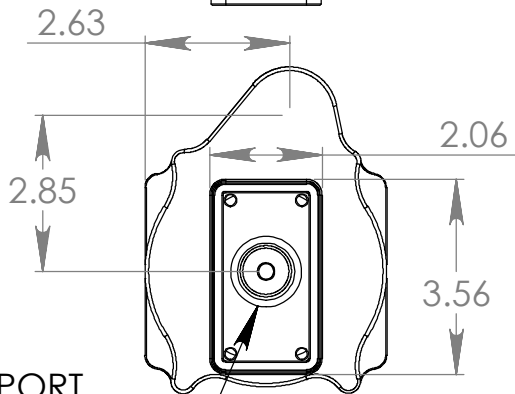
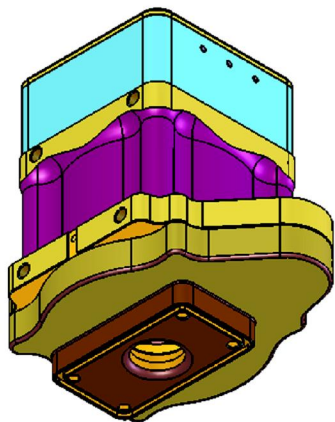
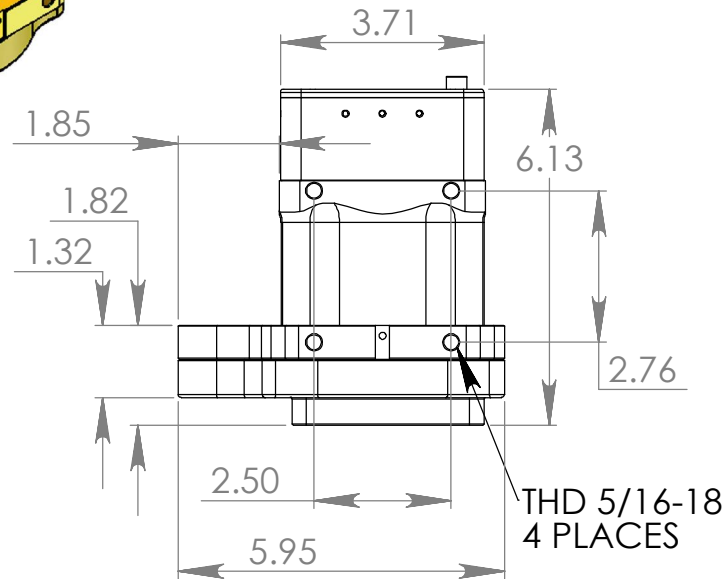
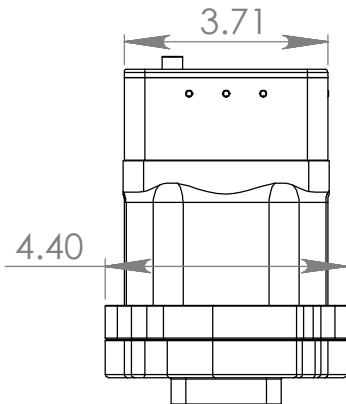
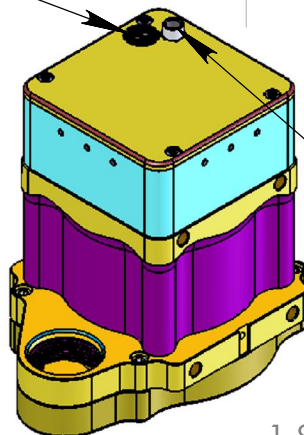
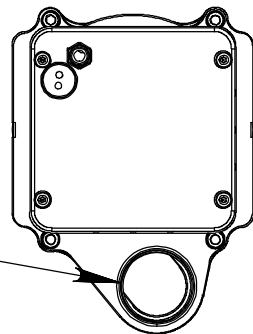


ZONE		REV.	REVISIONS	DATE	APPROVED
			DESCRIPTION		

2 WIRE MAIN POWER  
EXIT SPOT

-16AN FEMALE PORT

5 WIRE SPEED  
CONTROL PORT



INLET PORT  
FACE SEAL  
TO MOUNT PLATE

**PROPRIETARY AND CONFIDENTIAL**  
THE INFORMATION CONTAINED IN THIS DRAWING IS THE SOLE PROPERTY OF MEZIERE ENTERPRISES INC. ANY REPRODUCTION IN PART OR AS A WHOLE WITHOUT THE WRITTEN PERMISSION OF MEZIERE ENTERPRISES INC. IS PROHIBITED.

NEXT ASSY	USED ON	
APPLICATION		DO NOT SCALE DRAWING

DIMENSIONS ARE IN INCHES TOLERANCES: FRACTIONAL ± 1/2 DEGREE ANGULAR: MACH ± BEND ± TWO PLACE DECIMAL ± .015 THREE PLACE DECIMAL ± .005		NAME	DATE
DRAWN	DJM	2-28-17	
CHECKED			
ENG APPR.			
MFG APPR.			
Q.A.			
COMMENTS:			
SIZE	PART. NO.	REV.	
A	WP728 - WP729	-	
SCALE:1:5	WEIGHT:	SHEET 1 OF 1	

**Meziere Enterprises Inc.**

**PUMP, INTERCOOLER  
SINGLE IN-SINGLE OUT,  
TANK MOUNT 2D DETAIL**

FILE LOCATION: