



Pump Specification Sheet

Part Number: WP725

Product Weight: 7.2 Lbs.

Basic Dimensions: 6.38”H x 5.38”W x 4.40”D

Minimum Operating Temperature: -40F

Maximum Operating Temperature: 212F

Basic Construction: Billet aluminum body,
electronics housing and impeller.

Seal Type: Mechanical ceramic face

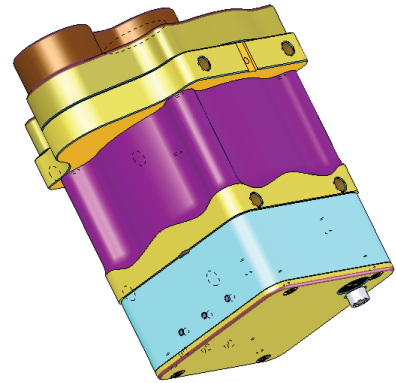
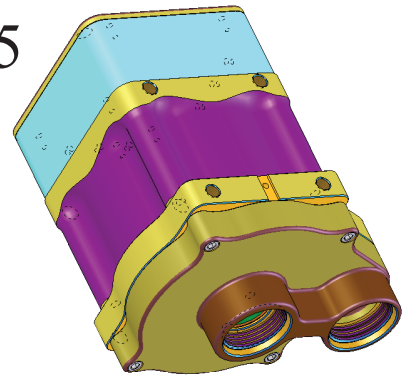
For Media Type: Water-glycol mixture

Input Voltage: 20-30 VDC

Expected Power Draw: See Performance Graph

Inlet Port Description: Single port -16AN Female

Outlet Port Description: Single port -16AN Female



PUMP FLOW VS. PRESSURE @ 28VOLTS & 3200 RPM

