



# Pump Specification Sheet

## Part Number: WP724

**Product Weight:** 6.35 Lbs.

**Basic Dimensions:** 6.48”H x 5.38”W x 4.40”D

**Minimum Operating Temperature:** -40F

**Maximum Operating Temperature:** 212F

**Basic Construction:**

Billet aluminum body, electronics housing and impeller.

**Exterior Finish:** Clear Anodize

**Seal Type:** Mechanical ceramic face

**For Media Type:** Water-glycol mixture

**Input Voltage:** 10-20 VDC

**Expected Power Draw:** See Performance Graph

**Inlet Port Description:** Single port -16AN Female

**Outlet Port Description:** Single port -16AN Female

**Intrusion Protection Rating:** IP65

**Detailed Part Numbers:**

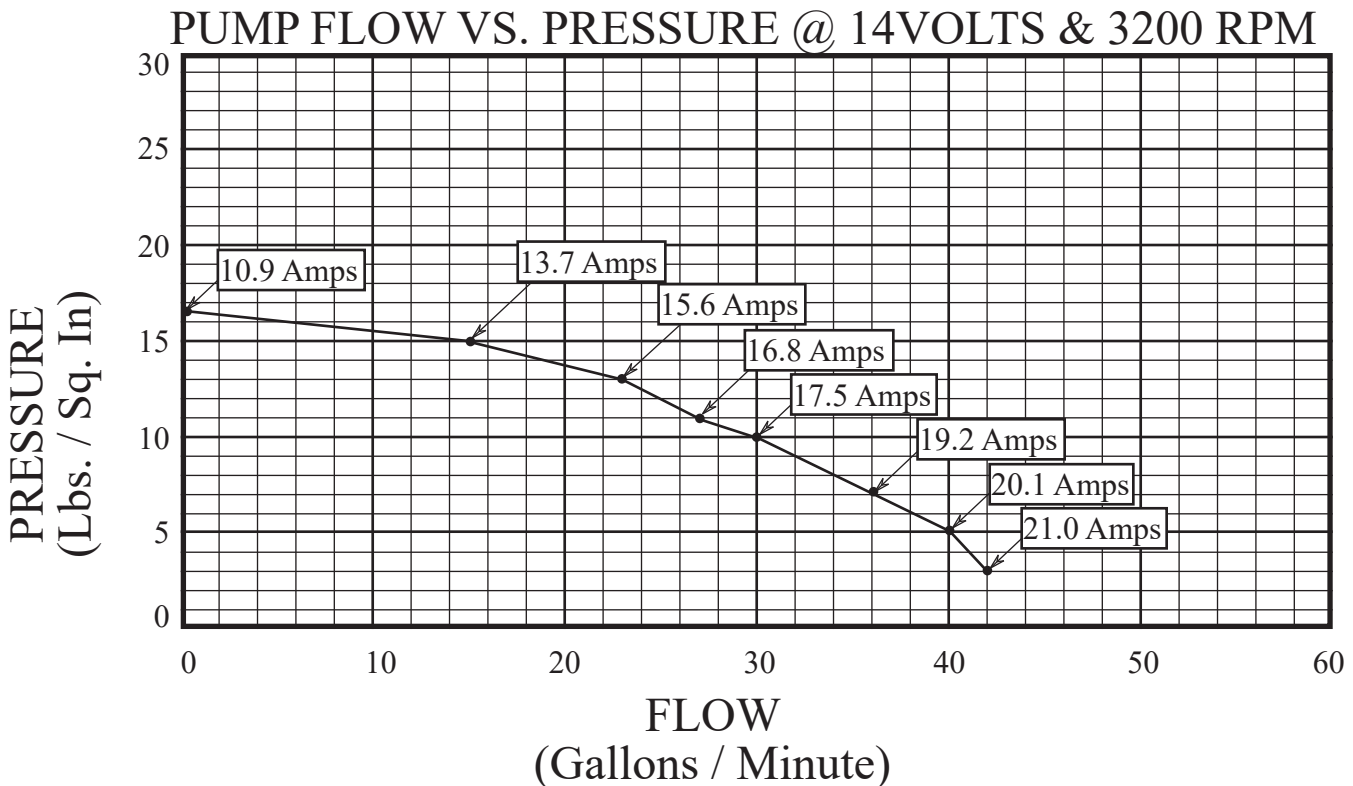
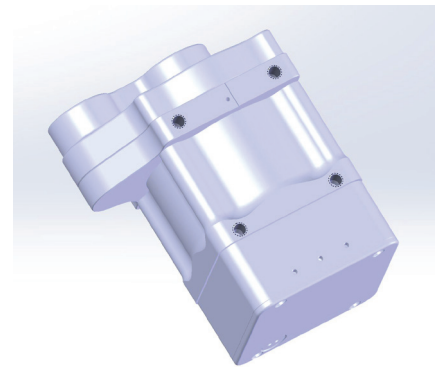
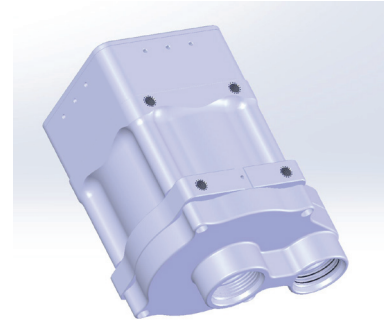
WP724 - On/Off standard

WP724H - 2 speed Hi/Low

WP724C - CAN control.

**Fitting Options for Slip Hose:** WP16100 (for 1”), WP16125 (for 1.25”), WP16150 (for 1.50”).

**Fitting Options for AN Hose:** WP16012 (for #12AN), WP16016 (for #16AN)





California Proposition 65 Warning

**WARNING: This product contains chemicals known to the State of California to cause cancer and birth defects or other reproductive harm.**

**WARNING:** Motor vehicles contain fuel, oils and fluids, battery posts, terminals and related accessories which contain lead and lead compounds and other chemicals known to the State of California to cause cancer, birth defects and other reproductive harm. These chemicals are found in vehicles, vehicle parts and accessories, both new and as replacements. When being serviced, these vehicles generate used oil, waste fluids, grease, fumes and particulates, all known to the State of California to cause cancer, birth defects, and reproductive harm.

For background on the new Proposition 65 warnings, see:  
<https://www.p65warnings.ca.gov/new-proposition-65-warnings>

Proposition 65 and its regulations are posted at:  
<https://oehha.ca.gov/proposition-65/law/proposition-65-law-and-regulations>

To give Meziere notice of an alleged violation of California Health and Safety Code Section 25249.5 or 25249.6, you must send notice to:  
[meziere@meziere.com](mailto:meziere@meziere.com)