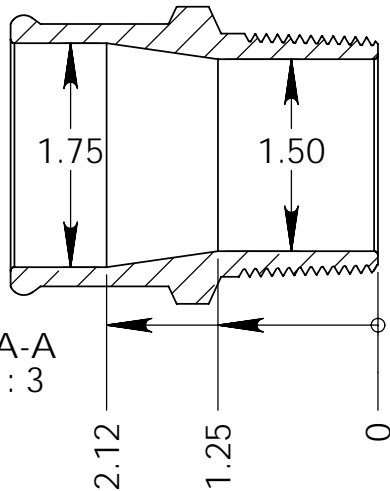
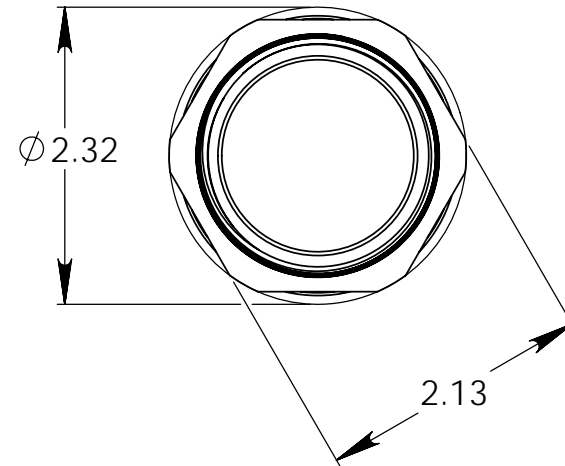
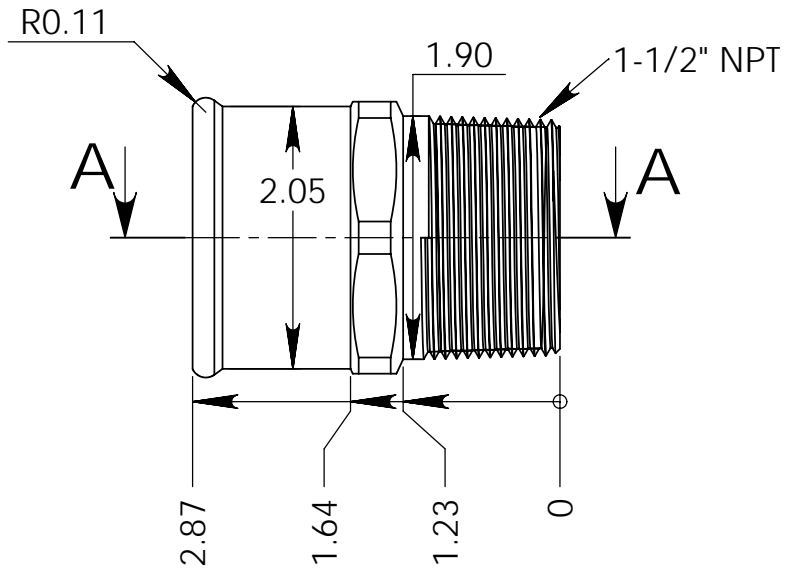


		REVISIONS			
ZONE	REV.	DESCRIPTION		DATE	APPROVED



SECTION A-A  
SCALE 2 : 3

INSTALLATION NOTE:

1. USE TEFLON TAPE OR APPROPRIATE SEALANT
2. DO NOT OVER TORQUE

DIMENSIONS ARE IN INCHES TOLERANCES: FRACTIONAL $\pm 1/2$ DEGREE ANGULAR: MACH $\pm$ BEND $\pm$ TWO PLACE DECIMAL $\pm .015$ THREE PLACE DECIMAL $\pm .005$	NAME	DATE	<b>Meziere Enterprises Inc.</b>  <b>ADAPTER, 1-1/2" NPT TO 2" HOSE</b>	
	DRAWN	KJM		10-18-11
	CHECKED			
	ENG APPR.			
	MFG APPR.			
MATERIAL	6061	Q.A.		
FINISH	TYPE II BLK ANO	COMMENTS:		
DO NOT SCALE DRAWING				
SIZE	PART. NO.	REV.		
<b>A</b>	WPX817	-		
SCALE:1:1	WEIGHT:	SHEET 1 OF 1		