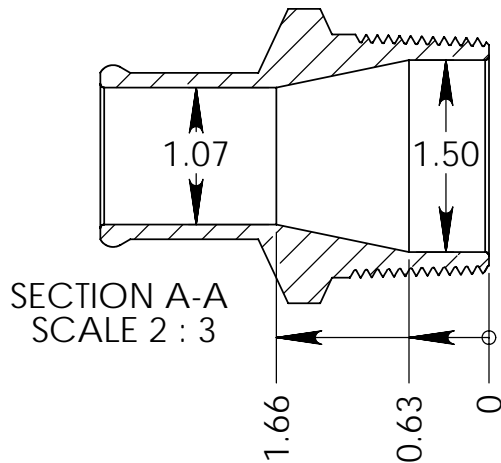
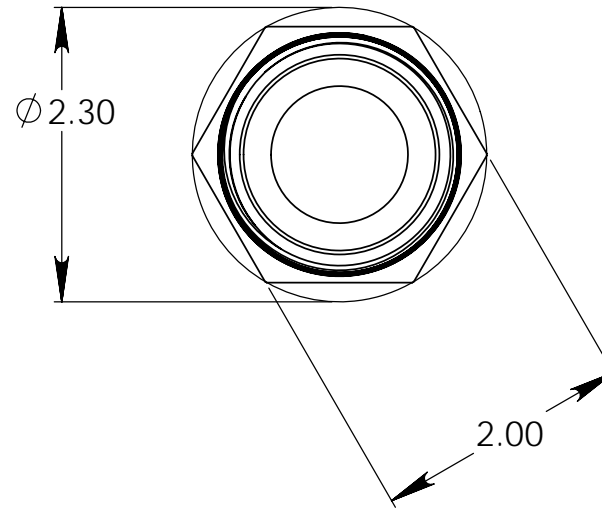
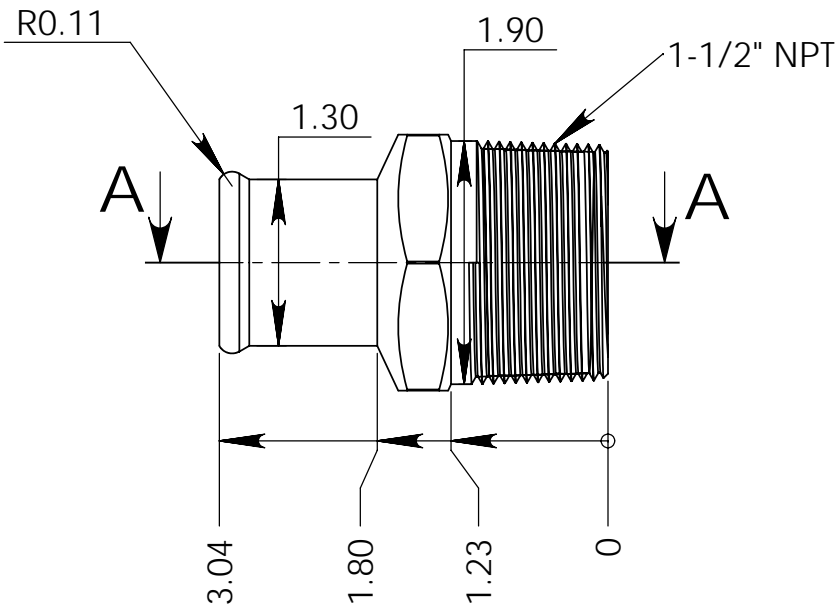


REVISIONS		DATE	APPROVED
ZONE	REV.	DESCRIPTION	



INSTALLATION NOTE:

1. USE TEFLON TAPE OR APPROPRIATE SEALANT
2. DO NOT OVER TORQUE

DIMENSIONS ARE IN INCHES TOLERANCES: FRACTIONAL ± 1/2 DEGREE ANGULAR: MACH ± BEND ± TWO PLACE DECIMAL ± .015 THREE PLACE DECIMAL ± .005	NAME	DATE	Meziere Enterprises Inc. 1-1/2" NPT TO 1-1/4" HOSE ADAPTER	
	DRAWN	KJM		10-19-11
	CHECKED			
	ENG APPR.			
	MFG APPR.			
MATERIAL	6160		Q.A.	
FINISH	TYPE II BLK ANO		COMMENTS:	
DO NOT SCALE DRAWING	SIZE	PART. NO.	REV.	
	A	WPX815	-	
	SCALE:1:1	WEIGHT:	SHEET 1 OF 1	