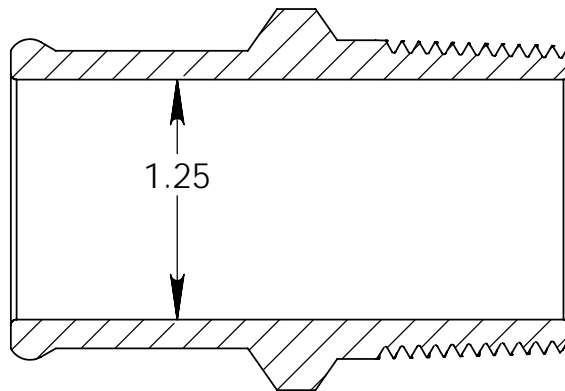
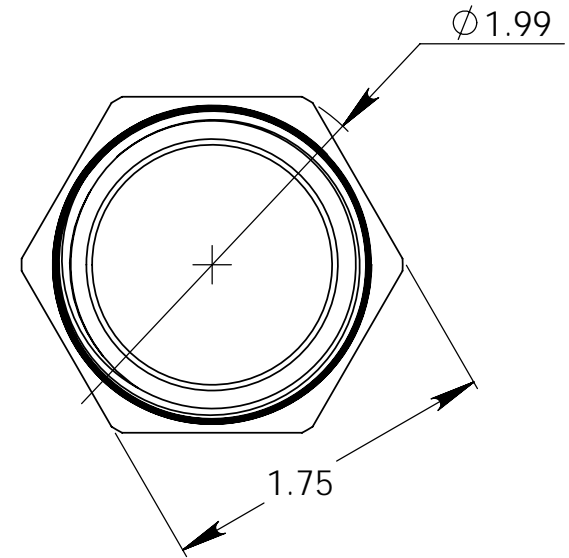
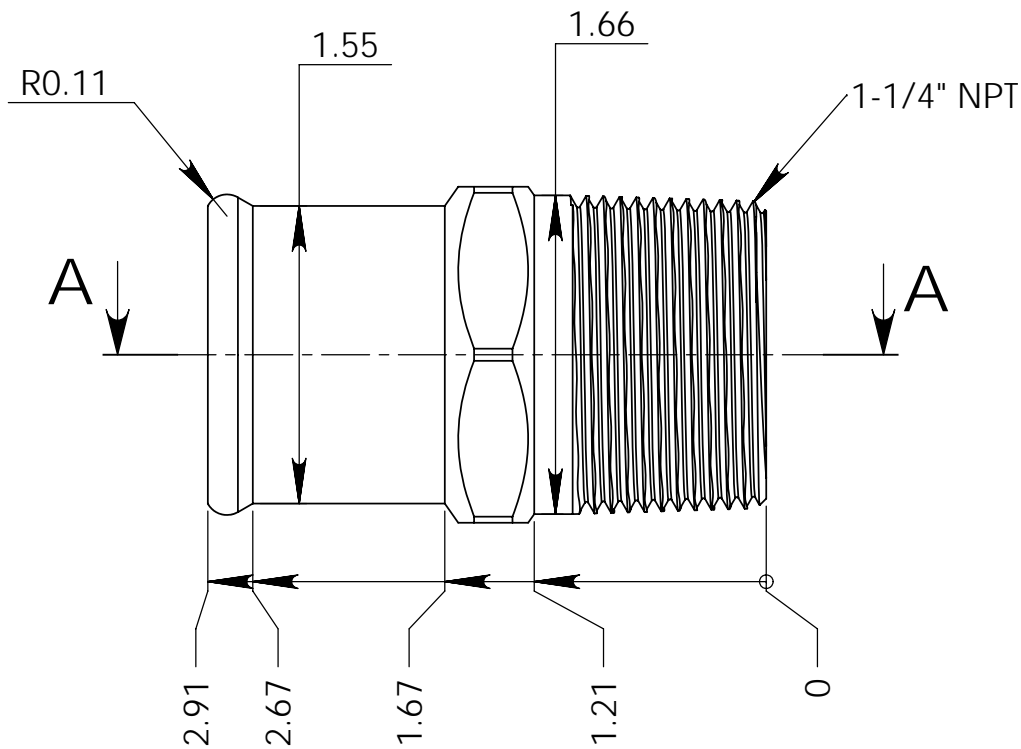


REVISIONS		DATE	APPROVED
ZONE	REV.	DESCRIPTION	



SECTION A-A
SCALE 1 : 1

INSTALLATION NOTE:

1. USE TEFLON TAPE OR APPROPRIATE SEALANT
2. DO NOT OVER-TORQUE

DIMENSIONS ARE IN INCHES TOLERANCES: FRACTIONAL $\pm 1/2$ DEGREE ANGULAR: MACH \pm BEND \pm TWO PLACE DECIMAL $\pm .015$ THREE PLACE DECIMAL $\pm .005$		NAME KJM	DATE 10-13-11	Meziere Enterprises Inc. ADAPTER, 1-1/4" NPT TO 1-1/2" HOSE
MATERIAL 6061	CHECKED	ENG APPR.	MFG APPR.	
FINISH TYPE II BLK ANO	Q.A.	COMMENTS:		
DO NOT SCALE DRAWING	SCALE: 1:2	WEIGHT:	SHEET 1 OF 1	
SIZE A PART. NO. WPX813 REV. -				