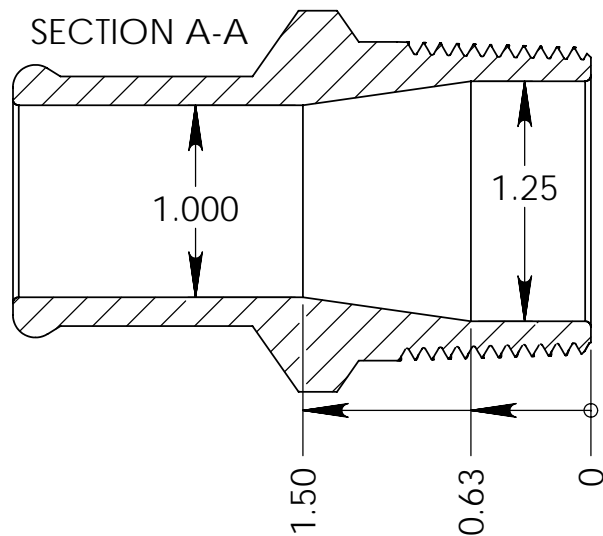
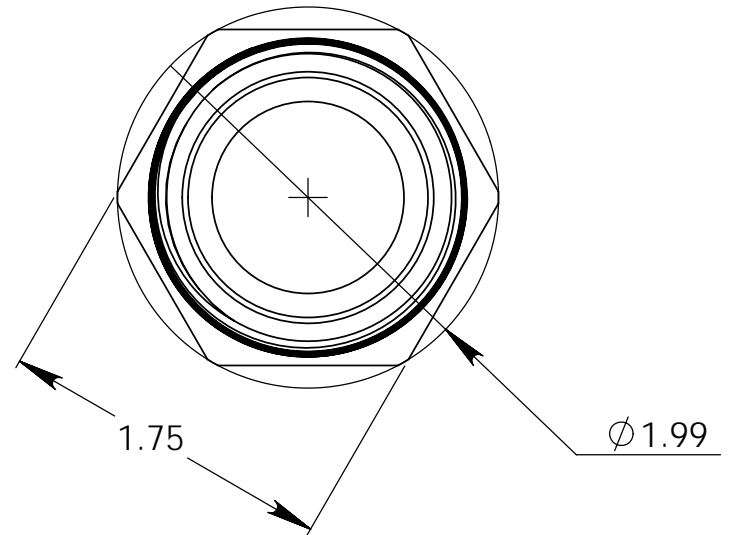
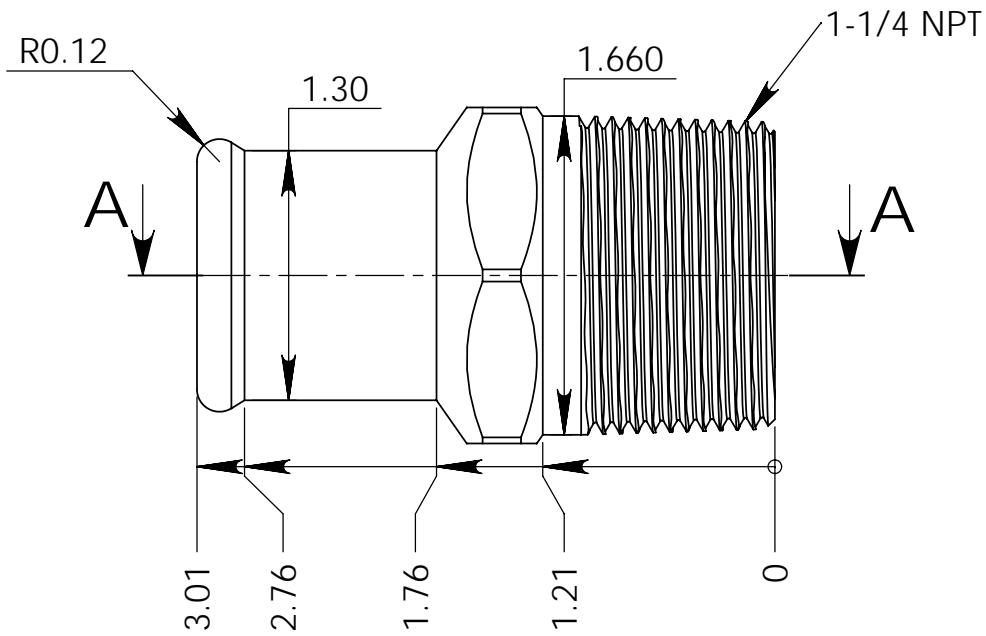


		REVISIONS			
ZONE	REV.	DESCRIPTION		DATE	APPROVED



INSTALLATION NOTE:

1. USE TEFLON TAPE OR APPROPRIATE SEALANT
2. DO NOT OVER-TORQUE

DIMENSIONS ARE IN INCHES TOLERANCES: FRACTIONAL $\pm 1/2$ DEGREE ANGULAR: MACH \pm BEND \pm TWO PLACE DECIMAL $\pm .015$ THREE PLACE DECIMAL $\pm .005$		NAME KJM	DATE 10-13-11	Meziere Enterprises Inc. ADAPTER, 1-1/4"NPT TO 1-1/4" HOSE
MATERIAL 6061	FINISH TYPE II BLK ANO	CHECKED	ENG APPR.	
DO NOT SCALE DRAWING		Q.A.	MFG APPR.	
		COMMENTS:		
SIZE A	PART. NO. WPX812	SCALE:1:1	WEIGHT:	REV. -
			SHEET 1 OF 1	