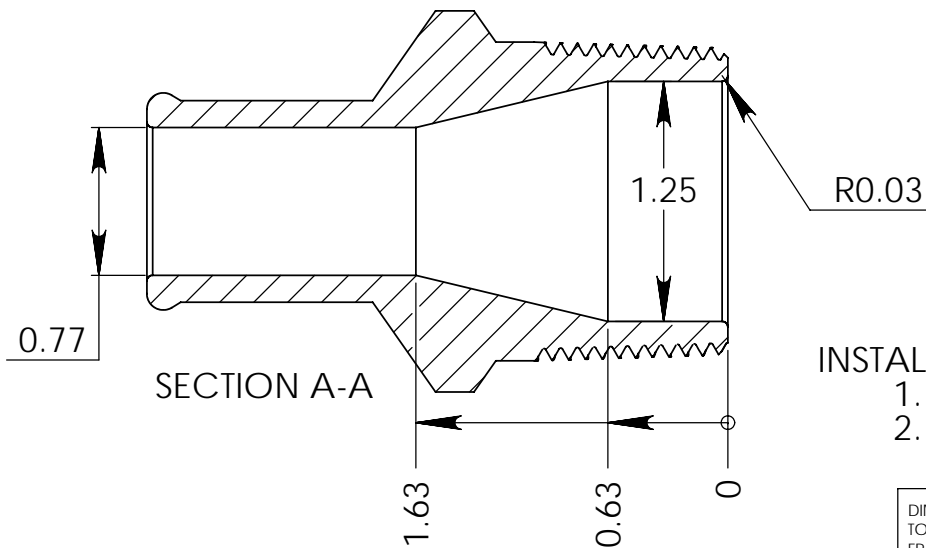
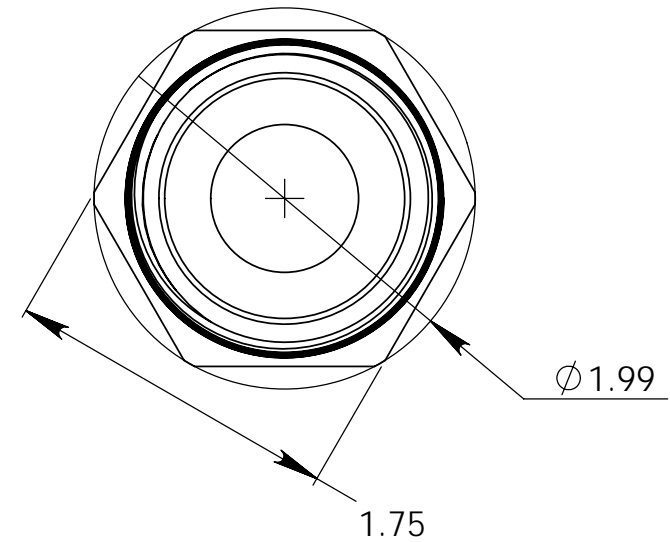
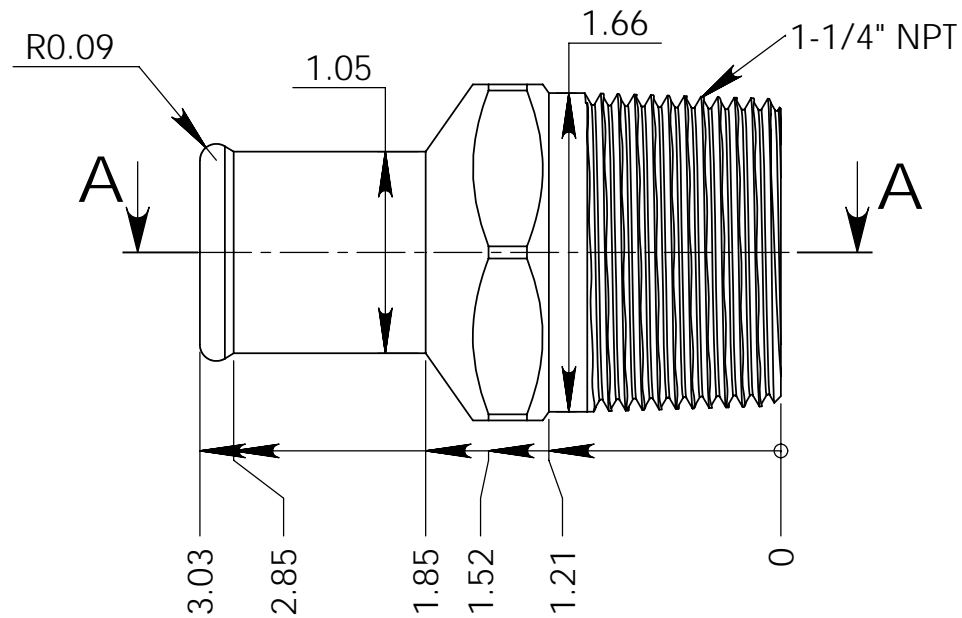


REVISIONS		DATE	APPROVED
ZONE	REV.	DESCRIPTION	



INSTALLATION NOTE:

1. USE TEFLON TAPE OR APPROPRIATE SEALANT
2. DO NOT OVER TORQUE

DIMENSIONS ARE IN INCHES TOLERANCES: FRACTIONAL $\pm 1/2$ DEGREE ANGULAR: MACH \pm BEND \pm TWO PLACE DECIMAL $\pm .015$ THREE PLACE DECIMAL $\pm .005$	NAME	DATE	Meziere Enterprises Inc. ADAPTER, 1-1/4" NPT TO 1"HOSE	
	DRAWN	K.M.		10-18-11
	CHECKED			
	ENG APPR.			
	MFG APPR.			
MATERIAL	6061	Q.A.		
FINISH	TYPE II BLK ANO	COMMENTS:		
DO NOT SCALE DRAWING	SIZE	PART. NO.	REV.	
	A	WPX811	-	
	SCALE:1:1	WEIGHT:	SHEET 1 OF 2	

