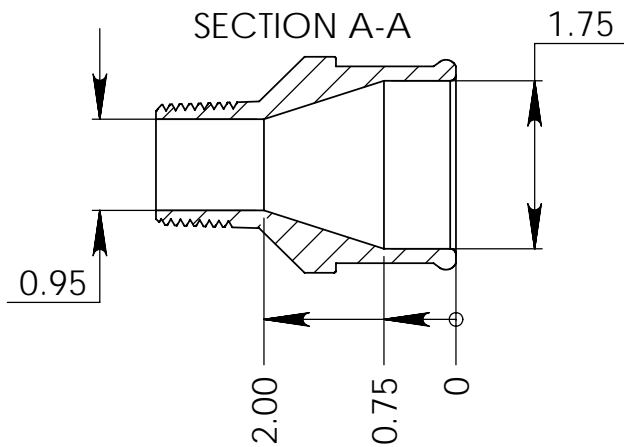
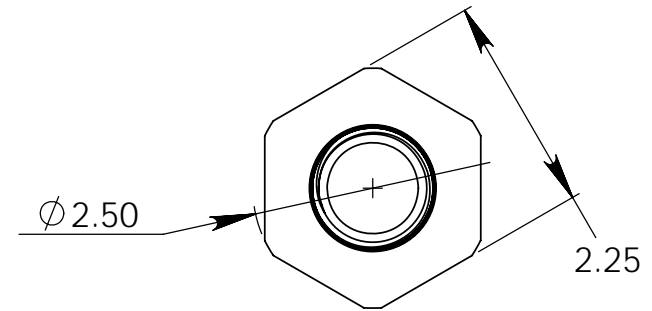
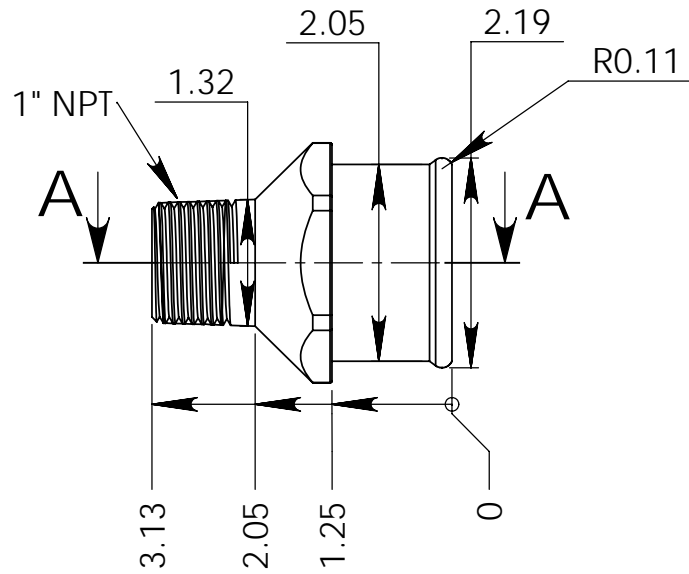


		REVISIONS			
ZONE	REV.	DESCRIPTION		DATE	APPROVED



INSTALLATION NOTE:

1. USE TEFLON TAPE OR APPROPRIATE SEALANT
2. DO NOT OVER-TORQUE

DIMENSIONS ARE IN INCHES TOLERANCES: FRACTIONAL $\pm$ 1/2 DEGREE ANGULAR: MACH $\pm$ BEND $\pm$ TWO PLACE DECIMAL $\pm$ .015 THREE PLACE DECIMAL $\pm$ .005		NAME	DATE	Meziere Enterprises Inc.	
MATERIAL	6061	DRAWN	K.M.	10-12-11	<b>1" NPT TO 2" HOSE INLET</b>
FINISH	TYPE II BLK ANO	CHECKED			
		ENG APPR.			
		MFG APPR.			
		Q.A.			
DO NOT SCALE DRAWING		COMMENTS:		SIZE	PART. NO.
				<b>A</b>	WPX810
				SCALE:1:2	WEIGHT:
				SHEET 1 OF 1	