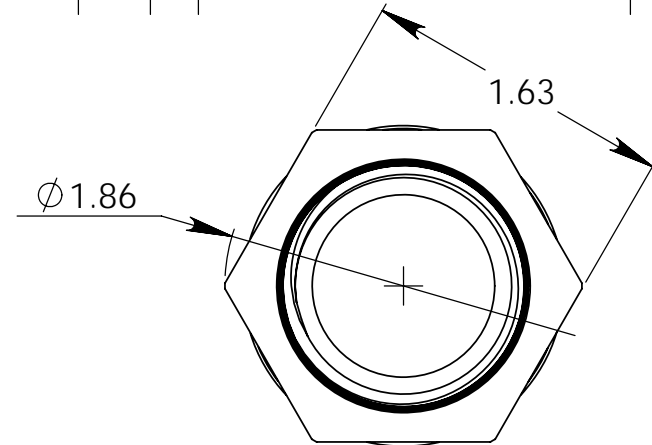
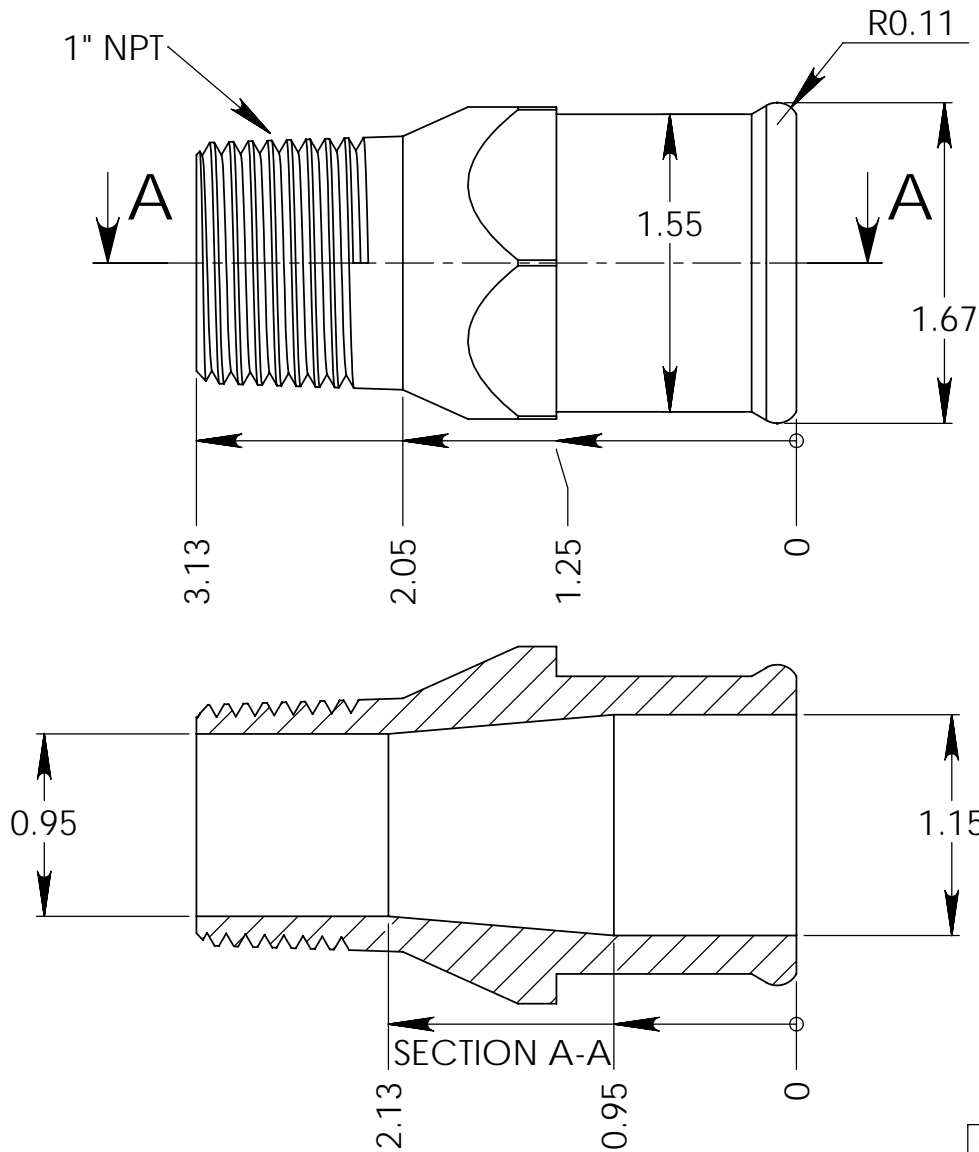


REVISIONS		DATE	APPROVED
ZONE	REV.	DESCRIPTION	



- INSTALLATION NOTE:
1. USE TEFLON TAPE OR APPROPRIATE SEALANT
 2. DO NOT OVER TORQUE

DIMENSIONS ARE IN INCHES TOLERANCES: FRACTIONAL $\pm 1/2$ DEGREE ANGULAR: MACH \pm BEND \pm TWO PLACE DECIMAL $\pm .015$ THREE PLACE DECIMAL $\pm .005$	NAME	DATE	Meziere Enterprises Inc. ADAPTER, 1" NPT TO 1-1/2" HOSE	
	DRAWN	K.M.		10-12-11
	CHECKED			
	ENG APPR.			
	MFG APPR.			
MATERIAL	COMMENTS:			
6061				
FINISH				
TYPE II BLK ANO				
DO NOT SCALE DRAWING				
SIZE	PART. NO.	REV.		
A	WPX809	-		
SCALE:1:1	WEIGHT:	SHEET 1 OF 1		