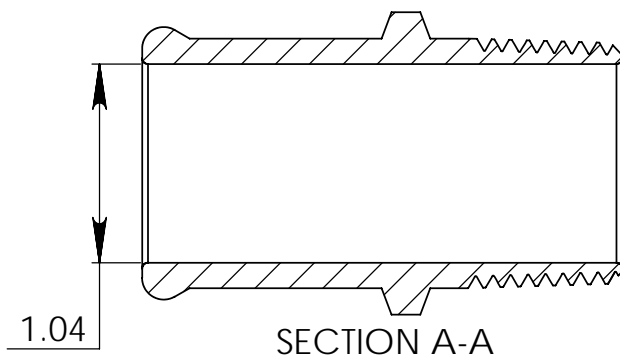
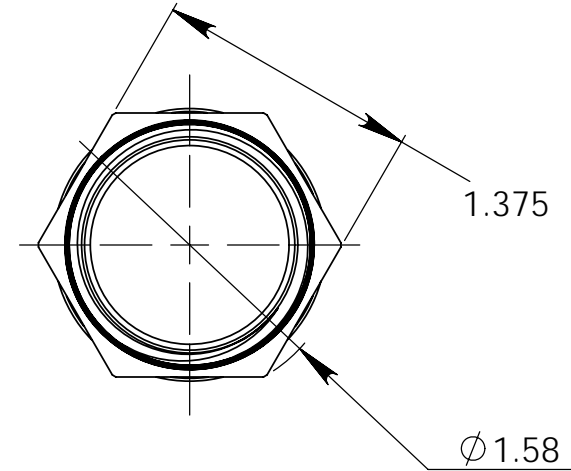
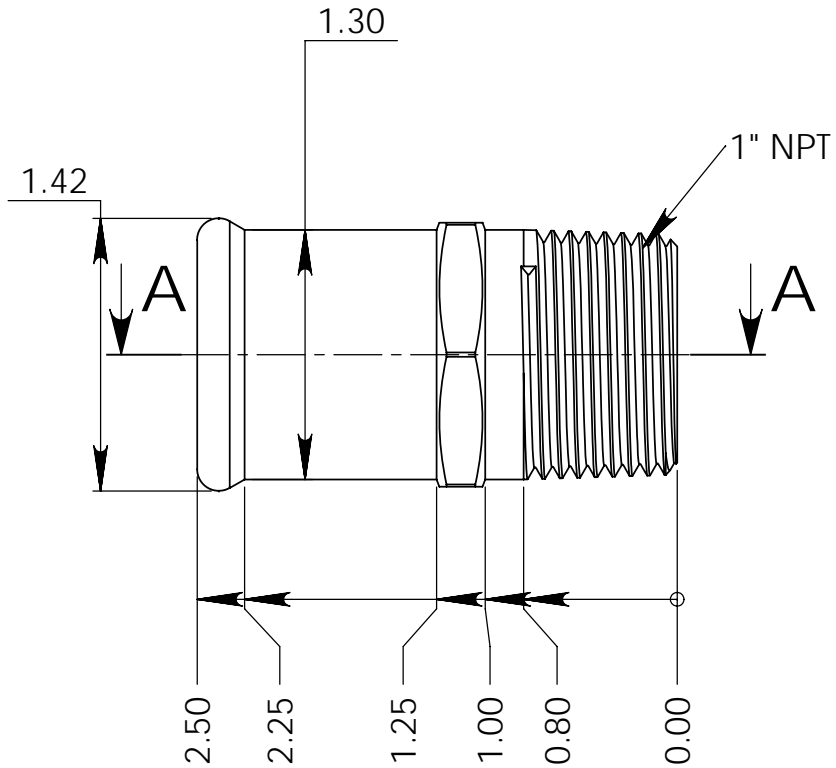


		REVISIONS			
ZONE	REV.	DESCRIPTION		DATE	APPROVED



INSTALLATION NOTE:

1. USE TEFLON TAPE OR APPROPRIATE SEALANT
2. DO NOT OVER-TORQUE

DIMENSIONS ARE IN INCHES TOLERANCES: FRACTIONAL $\pm 1/2$ DEGREE ANGULAR: MACH \pm BEND \pm TWO PLACE DECIMAL $\pm .015$ THREE PLACE DECIMAL $\pm .005$		NAME	DATE	Meziere Enterprises Inc.
		DRAWN	K.M.	
MATERIAL	6061	CHECKED		ADAPTER, 1" NPT TO 1-1/4" HOSE
FINISH	TYPE II BLK ANO	ENG APPR.		
		MFG APPR.		
		Q.A.		
DO NOT SCALE DRAWING		COMMENTS:		SIZE A PART. NO. WPX808 REV. - SCALE:1:1 WEIGHT: SHEET 1 OF 1