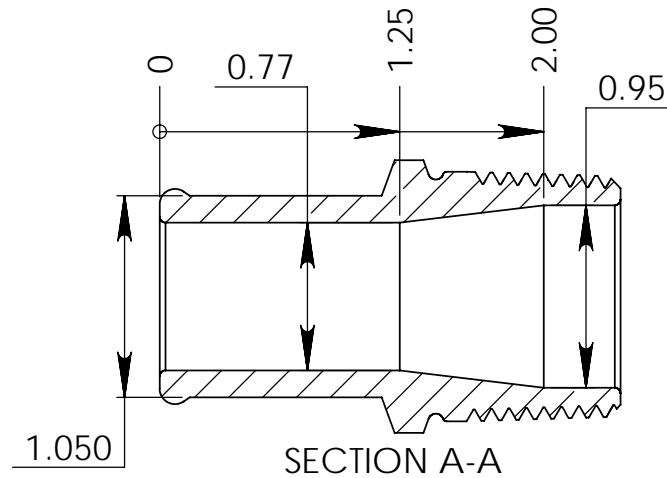
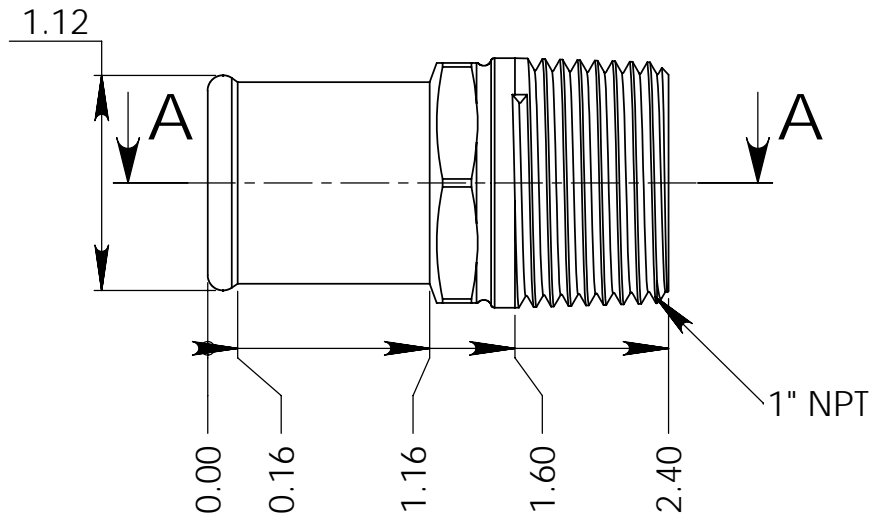
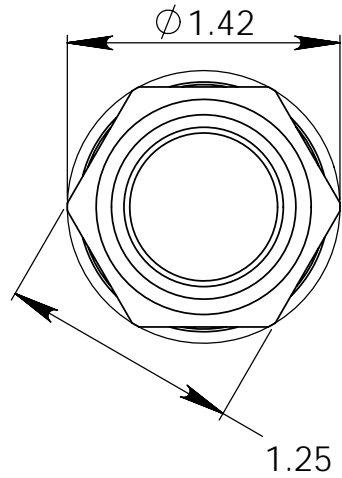


		REVISIONS			
ZONE	REV.	DESCRIPTION		DATE	APPROVED



INSTALLATION NOTE:

1. USE TEFLON TAPE OR APPROPRIATE SEALANT
2. DO NOT OVER-TORQUE

DIMENSIONS ARE IN INCHES TOLERANCES: FRACTIONAL $\pm 1/2$ DEGREE ANGULAR: MACH \pm BEND \pm TWO PLACE DECIMAL $\pm .015$ THREE PLACE DECIMAL $\pm .005$		NAME K.M.	DATE 10/12/11	Meziere Enterprises Inc.
MATERIAL 6061	FINISH TYPE II BLK ANO	COMMENTS:		
DO NOT SCALE DRAWING				ADAPTER, 1" NPT TO 1" HOSE
SIZE A	PART. NO. WPX807	REV. -	SCALE:1:1 WEIGHT: SHEET 1 OF 1	