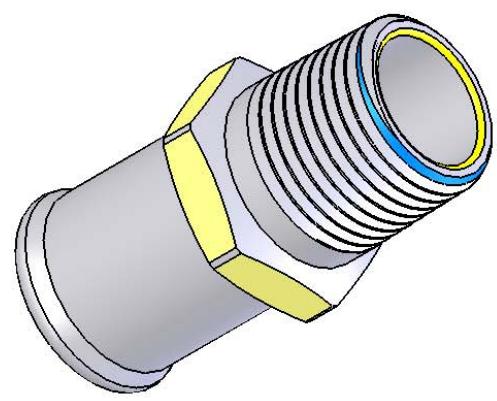


SECTION A-A



- INSTALLATION NOTES:
1. USE TEFLON TAPE OR APPROPRIATE SEALANT
 2. DO NOT OVER-TORQUE

DIMENSIONS ARE IN INCHES TOLERANCES: FRACTIONAL ± 1/2 DEGREE ANGULAR: MACH ± BEND ± TWO PLACE DECIMAL ± .015 THREE PLACE DECIMAL ± .005		NAME	DATE	Meziere Enterprises Inc. ADAPTER, 3/4" NPT TO 1" HOSE
DRAWN		K.M.	10-13-11	
CHECKED				
ENG APPR.				
MFG APPR.				
Q.A.				
MATERIAL 6061		COMMENTS:		SIZE
FINISH TYPE II BLK ANO				A
DO NOT SCALE DRAWING				PART. NO.
				WPX804
				REV.
				-
		SCALE:1:1	WEIGHT:	SHEET 1 OF 1